

INSTALLATION AND USER MANUAL

XIT 600mm Wall Oven



XITWO72L

Contents

Safety	3-7
User Guide	8-10
Care and Cleaning	11
Installation	12-13
Cleaning and Maintenance	14-15
Trouble Shooting	16

SAFETY WARNINGS

Please read this user manual thoroughly before attempting to use this appliance for the first time. This manual contains important information on safe installation, use and care of the appliance. Keep these instructions for reference and pass them on to future user.

Congratulations on your purchase

- The oven maximizes efficiency and simplifies cooking. A quick manual review enables effortless operation.
- Before being packaged and leaving the manufacturer, the oven was thoroughly checked with regard to safety and functionality.
- Before using the appliance, please read the instruction manual carefully.
- By following these instructions carefully you will be able to avoid any problems in using the appliance.
- It is important to keep the instruction manual and store it in a safe place so that it can be consulted at any time.
- It is necessary to follow the instructions in the manual carefully in order to avoid possible accidents.

Caution

- Do not use the oven until you have read this instruction manual. The oven is intended for household use only. The manufacturer reserves the right to introduce changes which do not affect the operation of the appliance.

Safety

■ NOTE:

Ensure there is a grounded socket nearby (behind the unit). A dedicated power circuit is recommended for the unit but not required. Additional electrical appliances on the same circuit may exceed the current (amperage) rating for that circuit. If after the installation of your unit the circuit breaker trips or the fuse fails on a repeated basis, then a dedicated circuit will likely be required.

The appliance must be installed only by a qualified person in compliance with the instructions provided. Incorrect installation may cause harm to persons, animals or may damage property.

- The manufacturer declines all responsibility for improper installation which may harm persons and animals and damage property.

Important: The power supply to the appliance must be cut off before any adjustments or maintenance work is done on it.

⚠ WARNING:

When using this product, basic precautions should always be taken, including the following: Your built-in oven is a classified electrical appliance. As with any electrical appliance and particularly with electric heaters, basic precautions must be followed in order to reduce the risk of fire, burns, electrical shocks and/or other serious injuries or death.

- The appliance becomes hot during operation. Take care not to touch the hot parts inside the oven.
- Always keep children away from the oven. While in use direct contact with the oven may cause burns!
- Ensure that small items of household equipment, including connection leads do not touch the hot oven or the hob as the insulation material of this equipment is usually not resistant to high temperatures.
- Do not put pans weighing over 15kg on the opened door of the oven or pans over 25kg on the hob.
- Do not use harsh cleaning agents or sharp metal objects to clean the door as they can scratch the surface, which could then result in the glass cracking.
- Do not use the oven in the event of a technical fault. Any faults must be fixed by an appropriately qualified and authorised person. In the event of any incident caused by a technical fault, disconnect the power and report the fault to the service centre to be repaired. The rules and provisions contained in this instruction manual should be strictly observed.

- Do not allow anybody who is not familiar with the contents of this instruction manual to operate the oven. The oven should not be cleaned using steam cleaning equipment.
- The panels adjacent to the oven must be made of heat-resistant material.
- Cabinets with a veneer exterior must be assembled with glues which can withstand temperature of up to 100° C.
- Keep combustible materials, such as: curtans, drapes, furniture, pillows, clothing, linen, bedding, paper etc. at least 3 feet (0.9m) from the front sides and rear of the oven. Do not use this unit in areas where gasoline, paint or other flammable liquids or their associated vapors may be present.
- To reduce the risk of fire do not place or install this unit in areas where the ventilation or circulation ducts may become blocked.
- The unit's power cord must be connected to a properly grounded and protected, 220-240V electrical outlet. Always use ground fault protection where required by the electrical code. To reduce the risk of fire, avoid running the power cord under rugs, carpets etc. Keep the power cord away from high traffic areas where it may pose a tripping hazard.
- Avoid the use of an extension cord, which may overheat and cause a fire. When transporting or storing the unit, keep it in a dry location, free from dust, excessive vibration or other factors, which may damage the unit.
- Do not operate any oven with a damaged cord or plug or after the heater malfunctions, has been dropped or damaged in any manner.
- If the supply cord is damaged, it must be replaced by a special cord or assembly available from the manufacturer or its service agent.
- Use this oven only as described in this manual. Any other use not recommended by the manufacturer may cause fire, electric shock, or injury to persons.
- This appliance is not intended for use by persons (including children) with reduced physical, sensory or mental capabilities, or lack of experience and knowledge, unless they have been given supervision or instruction concerning use of the appliance by a person responsible for their safety. Children should be supervised to ensure that they do not play with the appliance.
- Never add cold water to food on a hot universal tray or baking tray or directly onto food in a hot oven. The steam created could cause serious burns or scalding and the sudden change in temperature can damage the enamel.
- Do not lift the oven by the door handle.

This appliance can be used by children aged from 8 years and above if they have been given supervision or instruction concerning use of the appliance in a safe way and if they understand the hazards involved.

Safety

- Cleaning and user maintenance shall not be made by children unless they are aged from 8 years and above and supervised. Keep the appliance and its cord out of reach of children aged less than 8 years.

Appliances can be used by persons with reduced physical, sensory or mental capabilities or lack of experience and knowledge if they have been given supervision or instruction concerning use of the appliance in a safe way and if they understand the hazards involved. Children shall not play with the appliance.

If the supply cord is damaged, it must be replaced by the manufacturer, its service agent or similarly qualified persons in order to avoid a hazard.

WARNING:

The appliance and its accessible parts become hot during use. Care should be taken to avoid touching heating elements. Children less than 8 years of age shall be kept away unless continuously supervised.

This appliance can be used by children aged from 8 years and above and persons with reduced physical, sensory or mental capabilities or lack of experience and knowledge if they have been given supervision or instruction concerning use of the appliance in a safe way and understand the hazards involved. Children shall not play with the appliance. Cleaning and user maintenance shall not be made by children without supervision.

During use the appliance becomes hot. Care should be taken to avoid touching heating elements inside the oven.

WARNING:

Accessible parts may become hot during use. Young children should be kept away.

Do not use harsh abrasive cleaners or sharp metal scrapers to clean the oven door glass since they can scratch the surface, which may result in shattering of the glass.

WARNING:

Ensure that the appliance is switched off before replacing the lamp, to avoid the possibility of electric shock. This appliance is not intended for use by persons (including children) with reduced physical, sensory or mental capabilities, or lack of experience and knowledge, unless they have been given supervision or instruction concerning use of the appliance by a person responsible for their safety. Children should be supervised to ensure that they do not play with the appliance. If the supply cord is damaged, it must be replaced by the manufacturer, its service agent or similarly qualified persons in order to avoid a hazard.

How to save Energy



Using energy in a responsible way not only saves money but also helps the environment. So let's save energy! And this is how you can do it.

⚠ Do not uncover the pan too often.

⚠ Do not open the oven door unnecessarily.

⚠ Switch off the oven in good time and make use of residual heat.

For long cooking times, switch off heating zones 5 to 10 minutes before cooking is finished, this saves up to 20% on energy.

⚠ Only use the oven when cooking larger dishes.

Meat of up to 1kg can be prepared more economically in a pan on the hob.

⚠ Important:

Using the timer, set appropriately shorter cooking times according to the dish being prepared.

⚠ Make sure the oven door is properly closed.

Heat can leak through spillages on the door seals. Clean up any spillages immediately.

⚠ Do not install the cooker in the direct vicinity of refrigerators/freezers.

Energy consumption increases unnecessarily.

UNPACKING



During transportation, protective packaging was used to protect the appliance against any damage. After

unpacking, please dispose of all elements of packaging in a way that will not cause damage to the environment.

All materials used for packaging the appliance are environmentally friendly; they are 100% recyclable and are marked with the appropriate symbol.

Caution! During unpacking, materials like (polythene bags, polystyrene pieces, etc.) should be kept out of reach of children.

DISPOSAL OF THE APPLIANCE



Electrical and electronic devices may not be disposed of with domestic waste. Consumers are obliged by law to return electrical and electronic devices at the end of their service

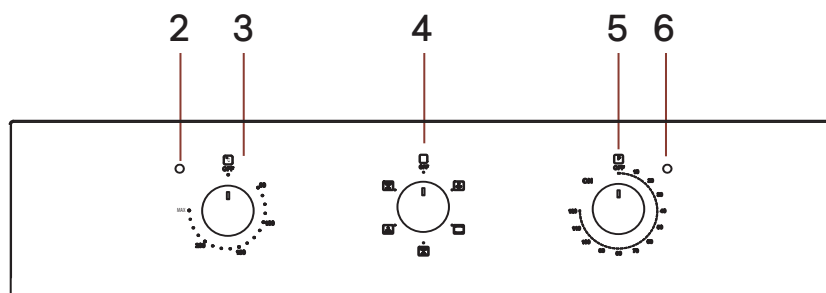
lives to the public collecting points set up for this purpose or point of sale. Details to this are defined by the national law of the respective country. This symbol on the product, the instruction manual or the package indicates that a product is subject to these regulations. By recycling, reusing the materials or other forms of utilizing old devices, you are making an important contribution to protecting our environment.

User Guide

Model: XITWO72L

Remove all protective poly film from the hob and/or all parts/accessories.

Control Panel:



- 1. Oven door handle
- 2. Heating indicator light
- 3. Temperature control knob

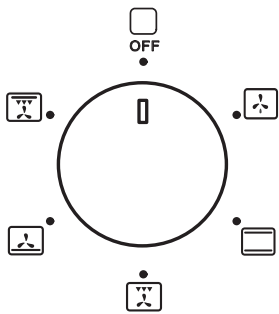
- 4. Function control knob
- 5. Timing control knob
- 6. Power indicator light

Before first use:

- Remove all packaging, plastic, cellotape, polystyrene and clean the interior of the oven.
- Take out and wash the oven fittings with warm water and a little washing-up liquid.
Switch on the ventilation in the room or open a window.
- Heat the oven (to a temperature of 250°C for approx 30min) remove any stains and wash carefully.

Important:

The inside of the oven should only be washed with warm water and a small amount of washing-up liquid.



The oven can be warmed up using the bottom and top heaters, as well as the grill. Operation of the oven is controlled by the oven function knob to set a required function you should turn the knob to the selected position.

Function knob settings:



Fan on (Defrost)

This function is to thaw food that has been frozen or slowly warm food to room temperature.



Top and bottom elements

Setting the knob to the this position allows the oven to be heated conventionally.



Fan and Grill elements

When the knob is set to this position, the oven is heated using only the top grill and fan function.



Fan and lower elements

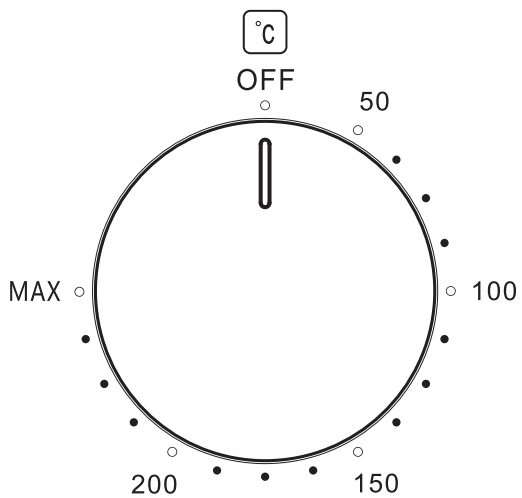
When the knob is set to this position, the oven is heated using only the bottom heater and fan function.



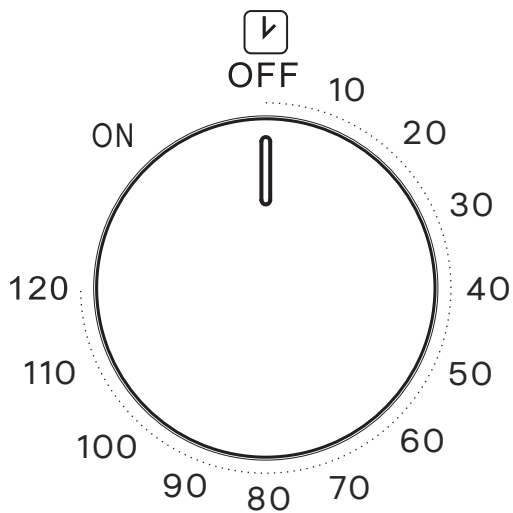
Fan and combined grill

Using this setting, the oven activates the combined grill and fan function. In practice, this function allows the grilling process to be speeded up and an improvement in the taste of the dish. You should only use the grill with the oven door shut.

User Guide

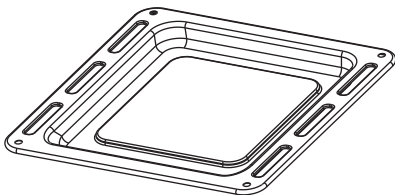


The oven can be switched off by setting both of these knobs to the position “OFF”.

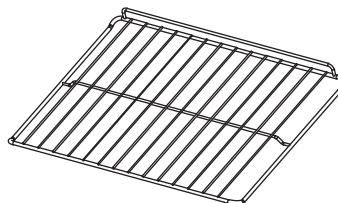


Turn the knob to “ON”, and the oven will enter the untimed mode (long pass).

Supplied Accessories



Baking tray




Grilling rack


Care and Cleaning

By ensuring proper cleaning and maintenance of your oven you can have a significant influence on the continuing fault-free operation of your appliance.

Before you start cleaning, the oven must be switched off and you should ensure that all knobs are set to the “OFF” position.

Do not start cleaning until the oven has completely cooled.

Caution: The sharp blade should always be protected by adjusting the cover (Adjust with  your thumb). Injuries are possible so be careful when using this instrument keep out of reach of reach of children.

 Appropriate light cleaning or washing products are recommended, such as a solution of warm water with a little dishwash liquid or cleaning products for stainless steel sinks.

Cleaning your Oven

The oven should be cleaned after every use. When cleaning the oven the lighting should be switched on to enable you to see the surfaces better. The oven chamber should only be washed with warm water and a small amount of washing-up liquid.

After cleaning the oven chamber wipe it dry.

CAUTION:

Do not use cleaning products containing abrasive materials for the cleaning and maintenance of the glass front panel.

Steam Cleaning:

- Pour 250ml of water (1 glass) into a bowl placed in the oven on the first level from the bottom.
- Close the oven door.
- Set the function to the bottom heater, set the minimum temperature for heating.
- Heat the oven chamber for approximately 30 minutes.
- Open the oven door, wipe the chamber inside with a cloth or sponge and wash using warm water with washing-up liquid.

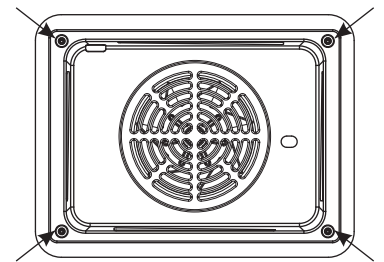
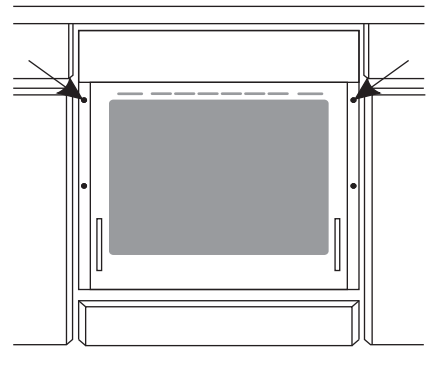
CAUTION:

Possible moisture or water residues under the oven can result from steam cleaning.

After cleaning the oven chamber wipe it dry.

Installation

The kitchen area should be dry and aired and equipped with efficient ventilation. When installing the oven, easy access to all control elements should be ensured. This is a built-in oven, and its back wall and one side wall can be placed next to a high piece of furniture or a wall. Coating or veneer used on fitted furniture must be applied with a heat-resistant adhesive (100°C). This prevents surface deformation or detachment of the coating. Make an opening with the dimensions given in the diagram for the oven to be fitted. Make sure the mains plug is disconnected and then connect the oven to the mains supply. Insert the oven completely into the opening without allowing the two screws in the places shown in the diagram to fall out.



WARNING:

The appliance must not be installed behind a decorative door in order to avoid over heating. The power of the oven should be turned off before the air hood is removed and cleaned, and then disassembled and assembled as follows: Loosen the four screws on the air hood with a tool. After cleaning the air hood, secure the air hood with the four screws removed.

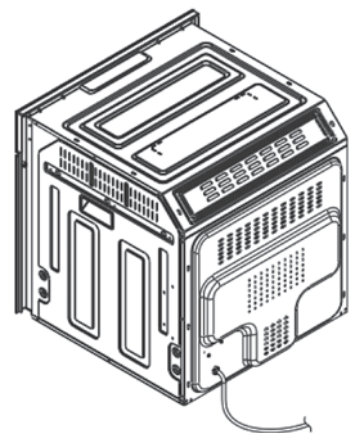
Electrical Connection

⚠ WARNING:

All electrical work should be carried out by a suitably qualified and authorised electrician. No alterations or modifications in the electricity supply should be carried out.

Fitting guidelines

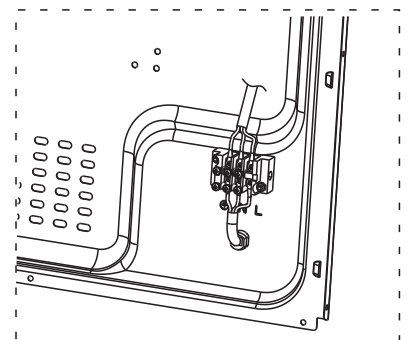
The oven is manufactured to work with Alternating Current (220V-240V/50Hz). The connection diagram is also found on the cover of the connection holder. Remember that the connection wire should match the connection type and the power rating of the oven.



Connection cable must be secured in a strain-relief clamp

⚠ WARNING:

Remember to connect the safety circuit to the connection holder terminal. The electrical supply for the oven must have a safety switch which enables the power to be cut off in case of emergency. The distance between the working contacts of the safety switch must be at least 3mm.

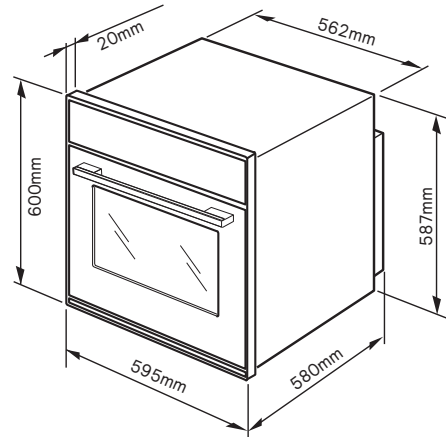


Installation

Before connecting the oven to the power supply it is important to read the information on the data plate and the connection diagram

Connection Diagram

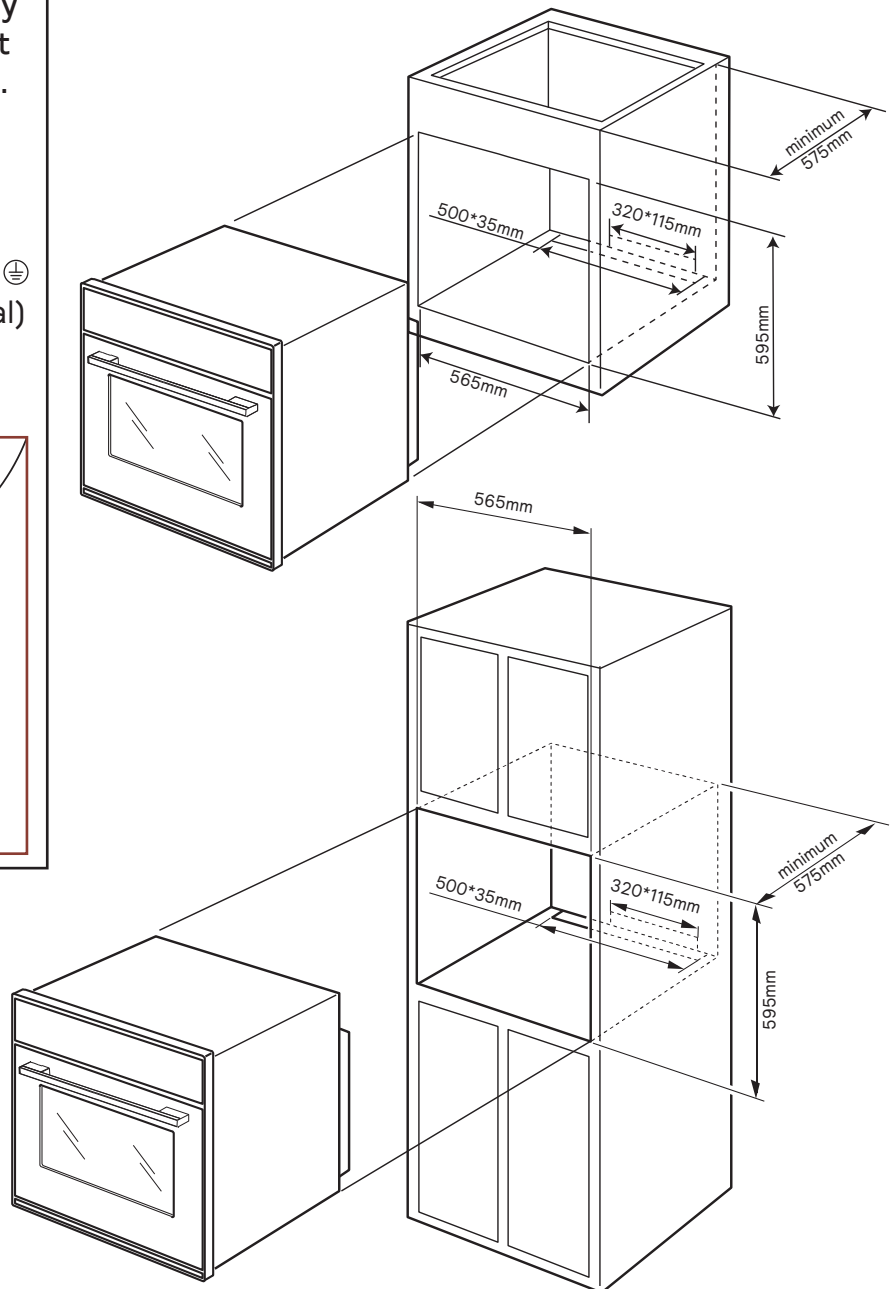
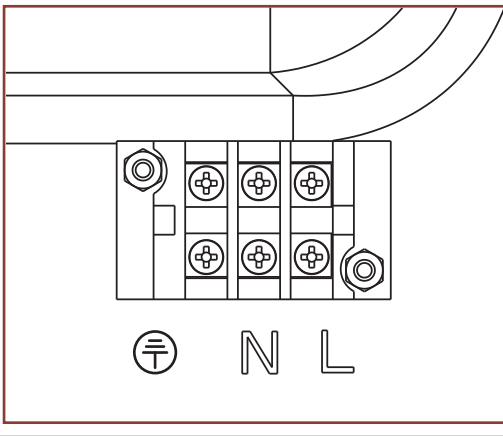
Voltage of heating elements 220V~240V



⚠ Caution: In the event of any connection the safety wire must be connected to the \oplus terminal.

For 220V~240V, connection see below:

Yellow/Green Wire connects to \oplus
Blue Wire connects to N (neutral)
Brown Wire connects to L (live)



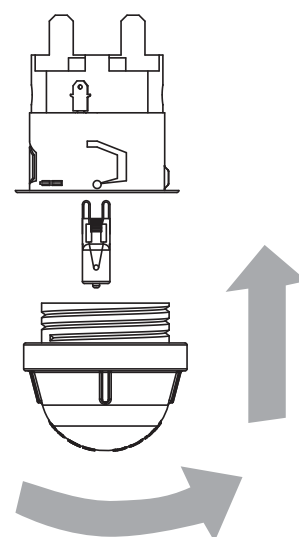
Cleaning & Maintenance

Replacement of the oven light bulb

In order to avoid the possibility of an electric shock ensure that the appliance is switched off before replacing the bulb.

Set all control knobs to the position "OFF"/ "STOP" and disconnect the mains plug.

1. Unscrew and wash the lamp cover and then wipe it dry.
2. **Caution, the bulb may be HOT**, wait until cooled. Carefully pull the light bulb from the socket, replace the bulb with a new one, a high temperature bulb (300°C) with the following parameters:
 - Voltage 220~240V
 - Power 25W
 - Lamp type G9



Oven light bulb replacement

Oven light bulb

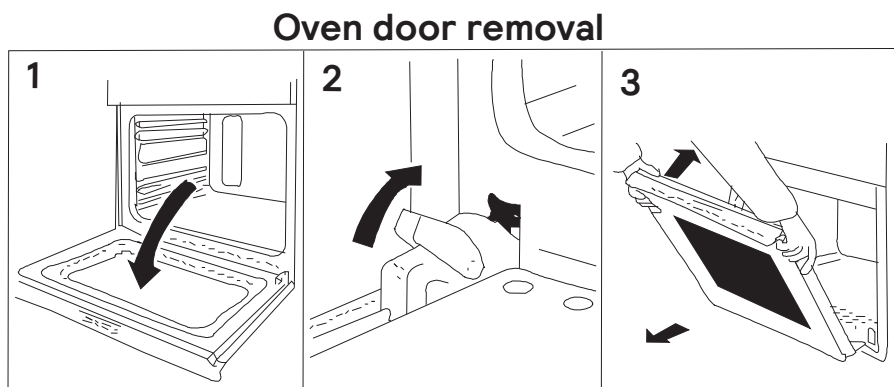
Push the bulb in the new G9 bulb, making sure it is properly inserted into the ceramic socket. Screw on the lamp cover.

Door removal

To obtain easier access to the oven chamber for cleaning, it is possible to remove the door. Tilt the safety catch part of the hinge upwards. Close the door lightly, lift and pull it out towards you. In order to fit the door back on to the oven, do the reverse. When fitting, ensure that the notch of the hinge is correctly placed on the protrusion of the hinge holder. After the door is fitted to the oven, the safety catch should be carefully lowered down again. If the safety catch is not set it may cause damage to the hinge when closing the door.

Operation is as follows:

- a) Open the door fully.
- b) Lift up and turn the small levers located on the two hinges.
- c) Grip the door on the two sides, shut it slowly but not completely.
- d) Pull the door towards you, pulling it out of its seat.



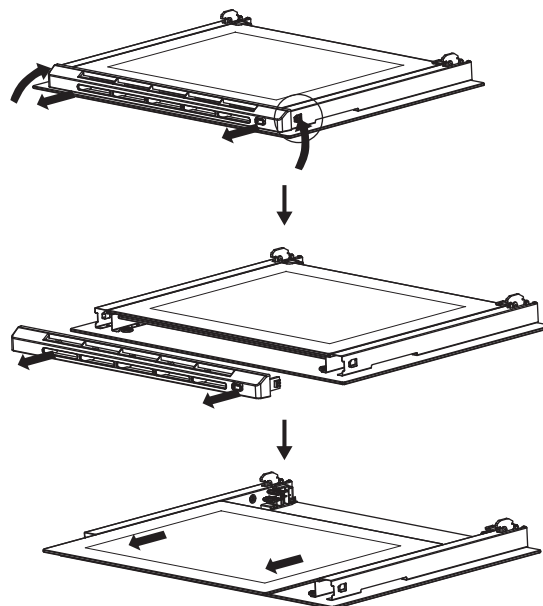
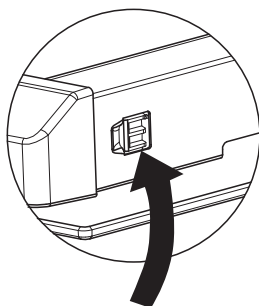
Reassemble the door by following the above procedures backwards.

Removal of the internal glass panel

Removal and installation of inner glass

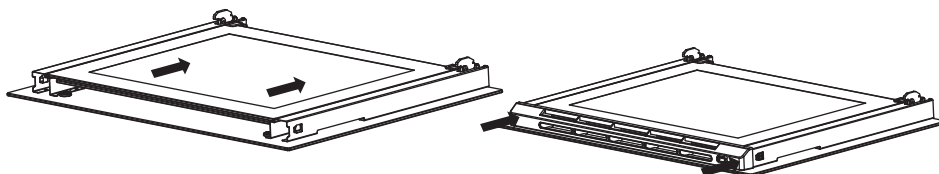
1. Removal of inner glass:

At the same time, press the snap on top of the crossbar and push the crossbar forward to remove the crossbar; then pull the inner glass forward to remove the inner glass; complete the disassembly of the inner glass.



2. Installation of inner glass:

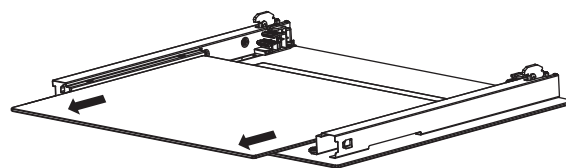
Snap the inner glass onto the inner glass slot; then snap both sides of the crossbar onto the door bracket (snaps need to be fitted in place) to complete the assembly of the inner glass.



Removal of the internal glass panel

3. Removal and installation of the center glass (for double-glazed doors, this step is omitted)

Removal of the center glass: after completing step 1. remove the center glass by pulling it forward.



Troubleshooting

In the event of an emergency:

- ⚠ Switch off all working units of the oven
- ⚠ Disconnect the mains plug
- ⚠ Call the service centre
- ⚠ Some minor faults can be fixed by referring to the instructions given in the table below. Before calling the customer support centre check the following points that are presented in the table.

Problem	Possible causes	What to do
The appliance does not work	Break in power supply	Check the household fuse box, if there is a blown fuse replace it with a new one, or reset RCD.
The oven light does not work	The bulb is loose or damaged	Check bulb connection or replace the blown bulb (see page 14). Bulb in oven maybe hot, allow to cool before touching, glass or fixture.

TECHNICAL DATA

Voltage rating	220V-240V 50/60Hz
Power rating	2.5kw
Cooker dimensions H/W/D(mm)	600/595/580
Usable capacity of the oven	68 litres
Net weight	29kg
Gross weight	34kg

If you have any questions, or need information, contact Parex Industries Limited:
Free call: 0800 200 510 or Email: info.parex@whirlpool.com